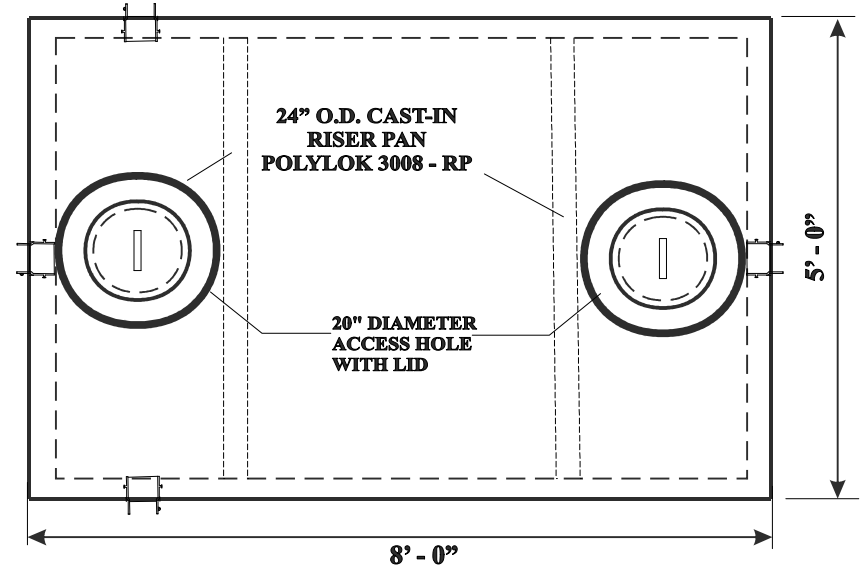
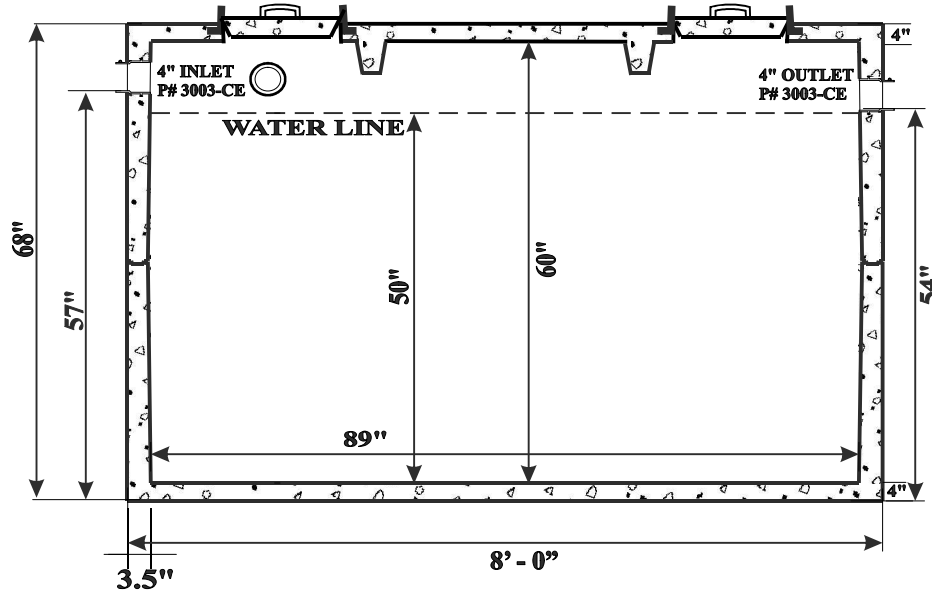


1000 GALLON

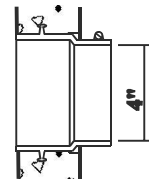
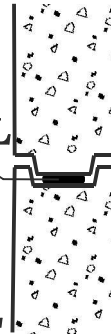
POLYLOK CAST IN RISER PANS



POLYLOK 24" X 3" RISER PAN

1" x 1" BUTYL SEALANT

JOINT DETAIL



RUBBER BOOT DETAIL

4" BOOT STANDARD

CAST-IN WATERTIGHT RUBBER BOOTS AVAILABLE IN 2", 4" AND 6" SIZES

| | | |
|-------------|--|------|
| PROJECT | | |
| CUSTOMER | | |
| DRAWN BY | | DATE |
| COST | | |
| APPROVED BY | | |
| DATE | | |

| VOLUME - CAPACITY: | FABRICATION SPECS: |
|--------------------------------------|---|
| LARGE CHAMBER SPECS: | TONGUE & GROOVE JOINT, SEALED WITH 1" X 1" BUTYL SEALEANT |
| CAPACITY: 89" X 52" X 50" = 1002 GAL | STRUCTURAL FIBER REINFORCED CONCRETE - 5000 PSI |
| GALLONS PER INCH = 20.04 GAL | REINFORCEMENT - PROFIBER S PREMIERE STRUCTURAL FIBER |
| | |
| | |
| | |
| OVERALL WEIGHT : 9,000 LBS. | |



29150 C DRIVE NORTH, ALBION, MI 49224
PHONE: 517-629-4800 EXT:210